

DE STEINEL Vertrieb GmbH

Dieselstraße 80-84 · 33442 Herzebrock-Clarholz
Tel.: +49/5245/448-188
www.steinel.de

AT Steinel Austria GmbH

Hirschstettner Strasse 19/A/2/2 · AT-1220 Wien
Tel.: +43/1/2023470 · info@steinel.at

CH PUAG AG

Oberebenestrasse 51 · CH-5620 Bremgarten
Tel.: +41/56/6488888 · info@puag.ch

GB STEINEL U.K. LTD.

25, Manasty Road · Axis Park · Orton Southgate
GB-Peterborough Cambs PE2 6UP
Tel.: +44/1733/366-700 · steinel@steinel.co.uk

IE Socket Tool Company Ltd

Unit 714 Northwest Business Park
Kilshane Drive Ballycoolin · Dublin 15
Tel.: 00353 1 8809120 · info@sockettool.ie

FR STEINEL FRANCE SAS

ACTICENTRE - CRT 2
Rue des Farnards - Bât. M · Lot 3
FR-69818 Lessquin Cedex
Tel.: +33/3/20 30 34 00 · info@steinelfrance.com

NL Van Spijk B.V.

Postbus 2 · 5688 HP OIRSCHOT
De Schepier 402 · 5688 HP OIRSCHOT
Tel.: +31 499 571810
info@vanspijk.nl · www.vanspijk.nl

BE VSA Belgium

Hagelberg 29 · BE-2440 Geel
Tel.: +32/14/256050
info@vsabelgium.be · www.vtabelgium.be

LU Minusines S.A.

8, rue de Hogenberg · LU-1022 Luxembourg
Tél. : (00 352) 49 58 58 1 · www.minusines.lu

ES SAET-94 S.L.

C/ Trepadella, n° 10 · Pol. Ind. Castellbisbal Sud
ES-08755 Castellbisbal (Barcelona)
Tel.: +34/93/772 28 49 · saet94@saet94.com

IT STEINEL Italia S.r.l.

Largo Donegani 2 · IT-20121 Milano
Tel.: +39/02/96457231
info@steinel.it · www.steinel.it

PT F.Fonseca S.A.

Rua Joao Francisco do Casal 87/89 Esqueira
3800-266 Aveiro · Portugal
Tel.: +351 234 303 900
ffonseca@ffonseca.com · www.ffonseca.com

SE KARL H STRÖM AB

Verktysgsvägen 4 · SE-553 02 Jönköping
Tel.: +46 36 550 33 00 · info@khs.se · www.khs.se

DK Roliba A/S

Hvidkærvej 52 · DK-5250 Odense SV
Tel.: +45 6593 0357 · www.roliba.dk

FI Oy Hedtec Ab

Lauttasarentie 50 · FI-00200 Helsinki
Puh.: +358/207 638 000
valaistus@hedtec.fi · www.hedtec.fi/valaistus

NO Vilan AS

Olaf Helsestvei 8 · NO-0694 Oslo
Tel.: +47/22725000
post@vilan.no · www.vilan.no

GR PANOS Lingonis + Sons O. E.

Aristofanous 8 Str. · GR-10564 Athens
Tel.: +30/210/3212021 · lygonis@otenet.gr

TR SAOS Teknoloji Elektrik Sanayi ve Ticaret Limited Şirketi

Hallı Rifat Paşa mahallesi Yüzerhavuz Sokak
PERPA Ticaret Merkezi A Blok Kat No.313 · Şişli / İSTANBUL
Tel.: +90 212 220 09 20
iletisim@saosteknoloji.com.tr · www.saosteknoloji.com.tr

CZ NECO SK, A.S.

Ružová ul. 111 · SK-01901 Ilava
Tel.: +421/42/4 45 67 10
neco@neco.sk · www.neco.sk

PL „Lk” Spółka z ograniczoną odpowiedzialnością sp. z o.o.

Byków, ul. Wroclawska 43 · PL-55-095 Mirków
Tel.: +48 71 3980818
handlowy@langelukaszuk.pl · www.langelukaszuk.pl

HU DINOCOOP Kft

Radványi u. 24 · HU-1118 Budapest
Tel.: +36/1/3193064 · dinocoop@dinocoop.hu

LT KVARCAS

Neries krantine 32 · LT-48463, Kaunas
Tel.: +370/37/408030 · info@kvarcas.lt

EE Fortronic AS

Tööstuse tee 10 · EE-61715 Tõravandi
Ülenurme vald, Tartumaa
Tel.: +372/7/475208
info@fortronic.ee · www.fortronic.ee

SI ELEKTRO – PROJEKT PLUS D.O.O.

Suha pri Predosljah 12 SI-4000 Kranj
PE GRENC 2 · 4220 Škofja Loka
Tel.: 00386-4-2521645 · GSM: 00386-40-856555
info@elektroprojektplus.si · www.priporocam.si

SK NECO SK, A.S.

Ružová ul. 111 · SK-01901 Ilava
Tel.: +421/42/4 45 67 10
neco@neco.sk · www.neco.sk

RO Steinel Distribution SRL

505400 Rasnov, jud. Brasov · Str. Campului, nr.1
FSR Hala Scularie Birourile 4-7
Tel.: +40(0)268 53 00 00 · www.steinel.ro

HR Daljinsko upravljanje d.o.o.

Bedriča Smetane 10 · HR-10000 Zagreb
T/00385 1 388 66 77
daljinsko-upravljanje@inet.hr · www.daljinsko-upravljanje.hr

LV Ambergs SIA

Brīvības gatve 195-16 · LV-1039 Rīga
Tel.: 00371 67550740 · www.ambergs.lv

BG ТАШЕВ-ГАЛВИНГ ООД

Бул. Климент Охридски № 68
1756 София, България
Тел.: +359 2 700 45 45 4
info@tashhev-galving.com · www.tashhev-galving.com

RU REAL.Electro

190929, Москва · ул. Средняя Калитниковская, д.26/27
Тел.: +7(495) 230 31 32
info@steinel-rusland.ru · www.steinel-rusland.ru

CN STEINEL China

Fm. 25A Huadu Mansion
No. 828-838 Zhongyangu Road
200122 Shanghai, PR China
Tel.: +86 21 5820 4486 · Fax: +86 21 5820 4212
www.steinel.cn · info@steinel.cn



IS 3360



IS 3360 MX Highbay



IS 345



IS 345 MX Highbay



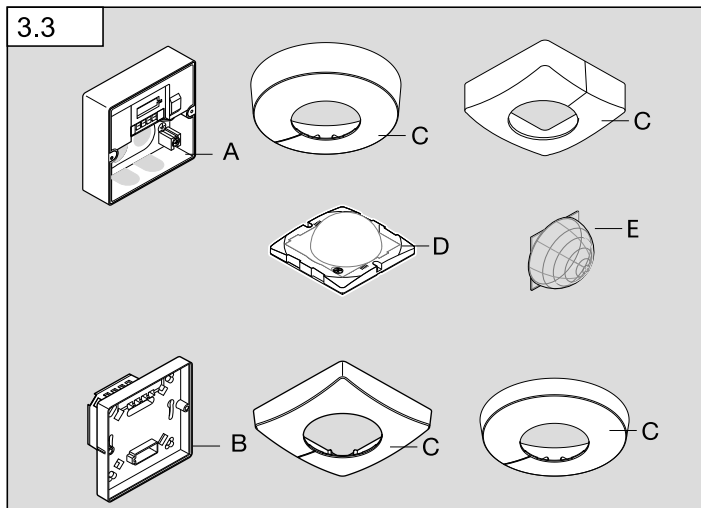
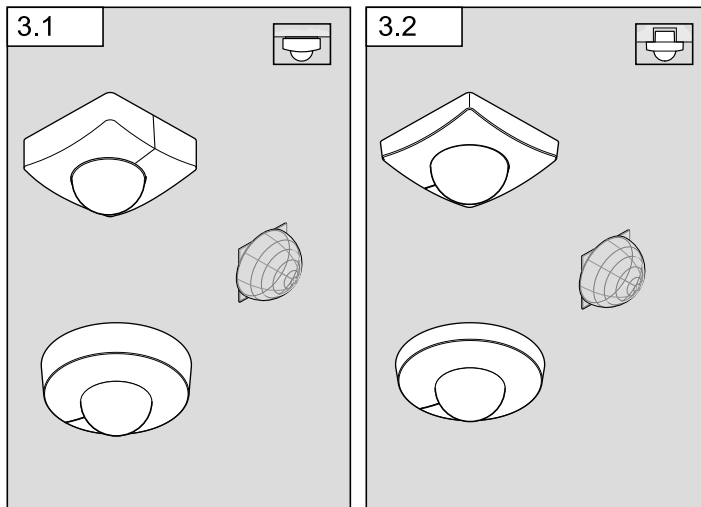
IS 3180

Information

IS 3360 COM1
IS 3360 MX COM1
IS 345 COM1
IS 345 MX COM1
IS 3180 COM1

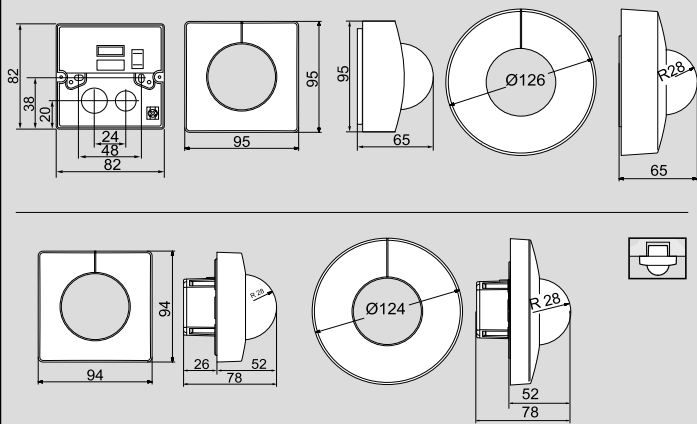


DE	15	Textteil beachten!
GB	26	Follow written instructions!
FR	37	Se référer à la partie texte !
NL	48	Let op de tekst!
IT	59	Seguire attentamente le istruzioni!
ES	70	¡Téngase en cuenta el texto!
PT	81	Siga as instruções escritas!
SE	92	läkta texten!
DK	103	Følg den skriftlige vejledning!
FI	114	Huomaa tekstiosio!
NO	125	Se de skriftlige instruksene!
GR	136	Τηρείτε γραπτές οδηγίες!
TR	147	Metin kısmını dikkate alın!
HU	158	Szöveges részre figyelni!



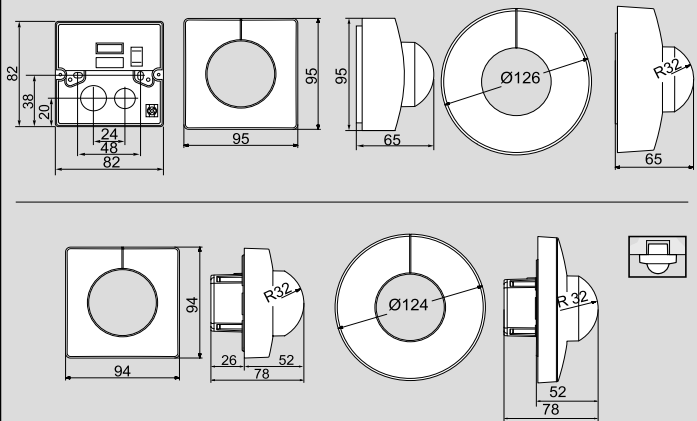
3.4

IS 345 / IS 3360 / IS 3360 MX



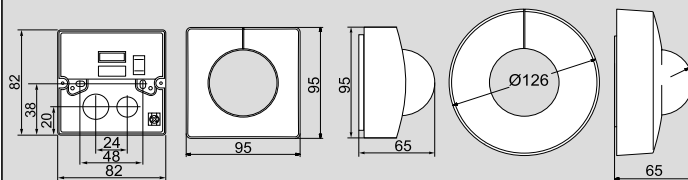
3.5

IS 345 MX

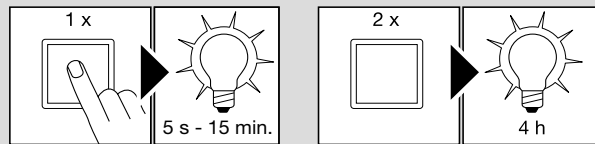


3.6

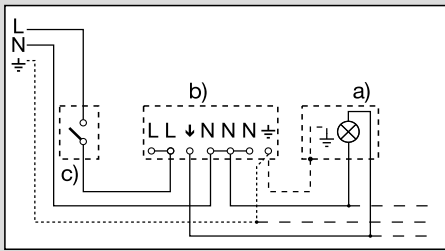
IS 3180



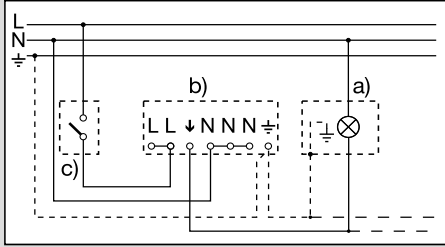
4.1



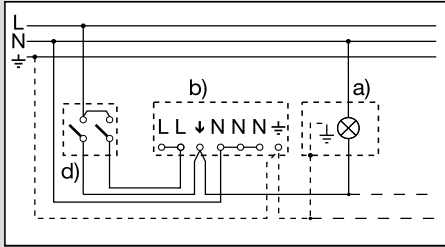
①



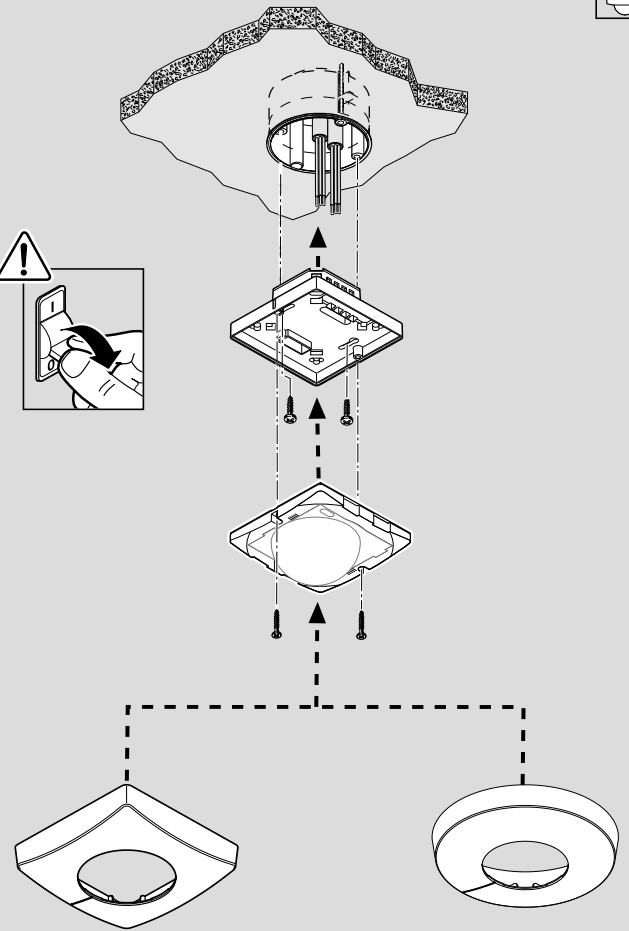
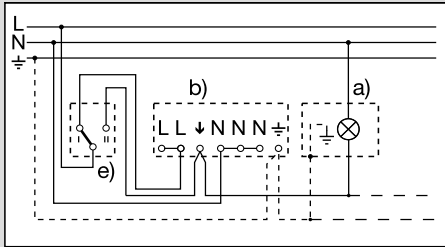
②



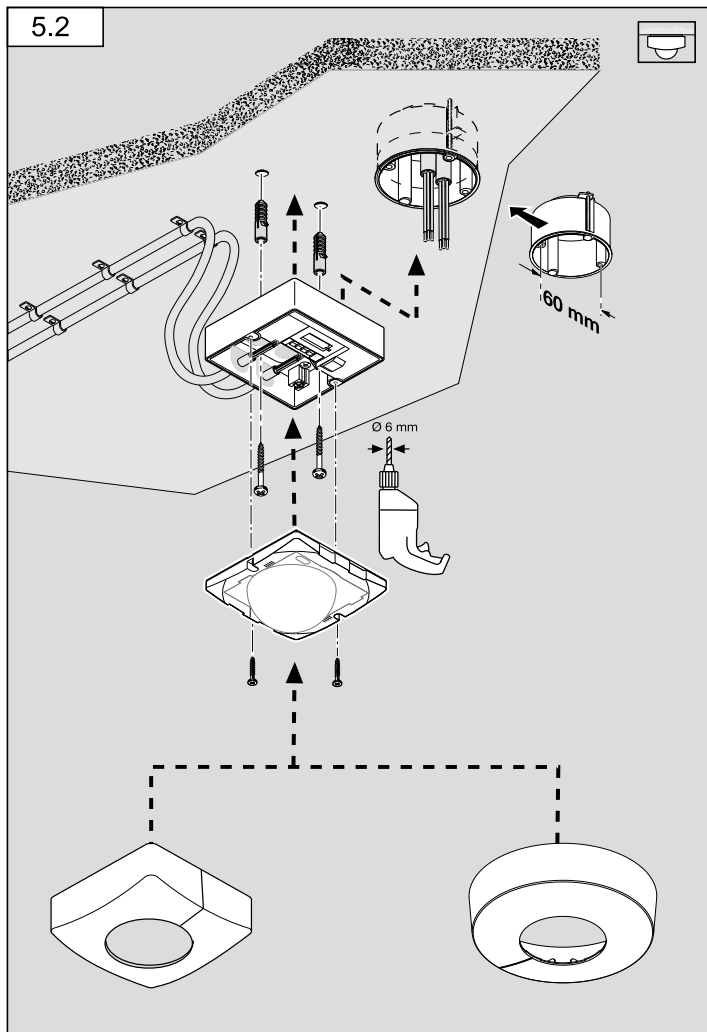
③



④

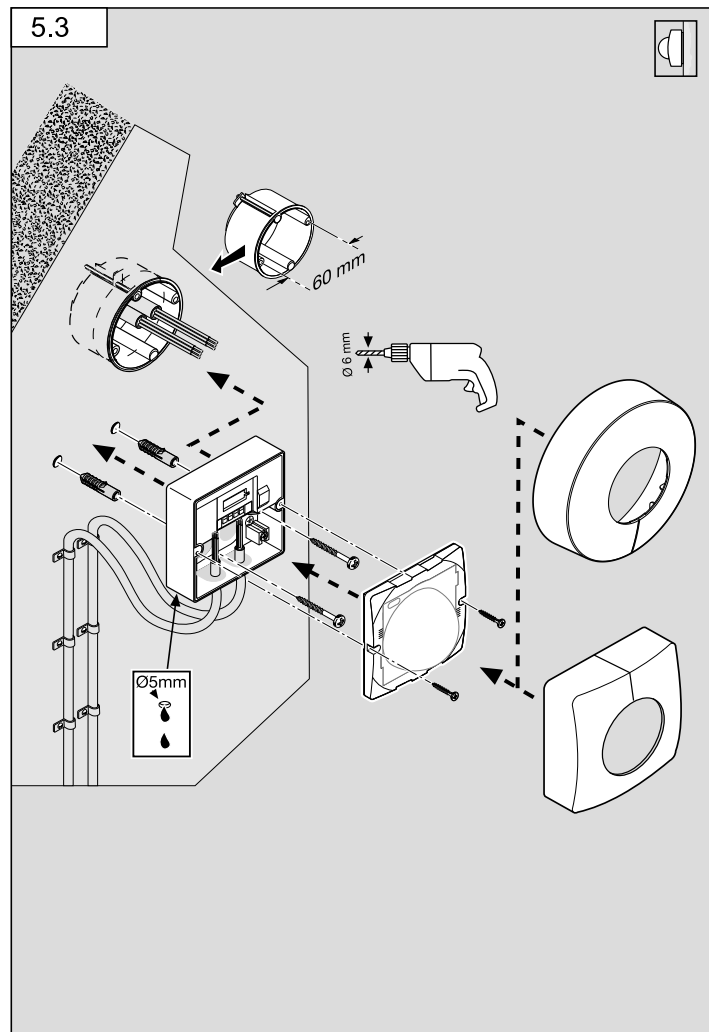


5.2



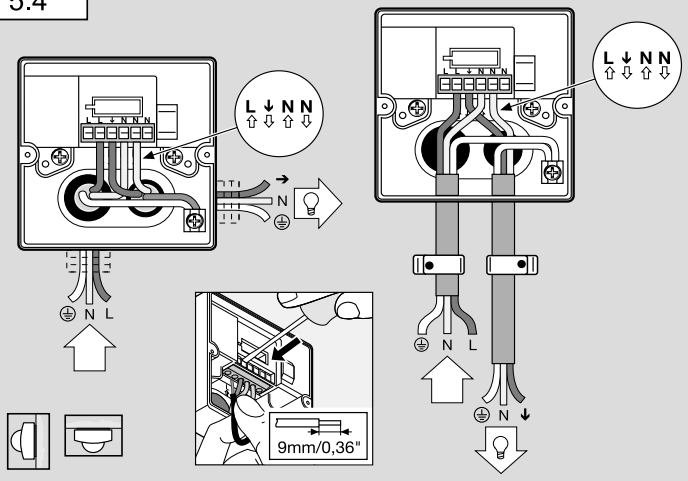
8

5.3

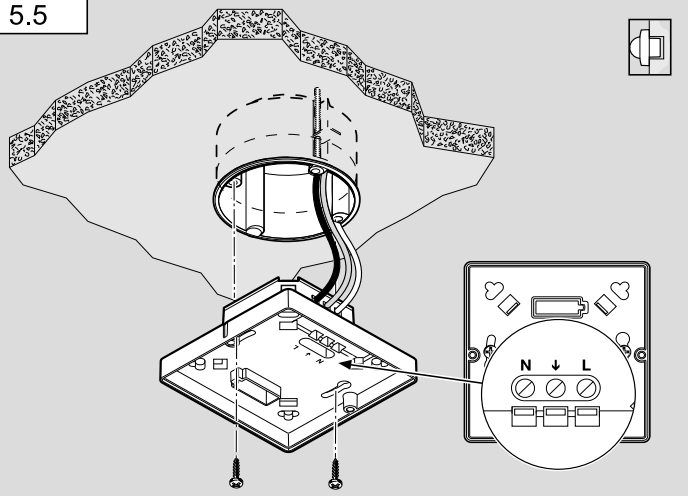


9

5.4

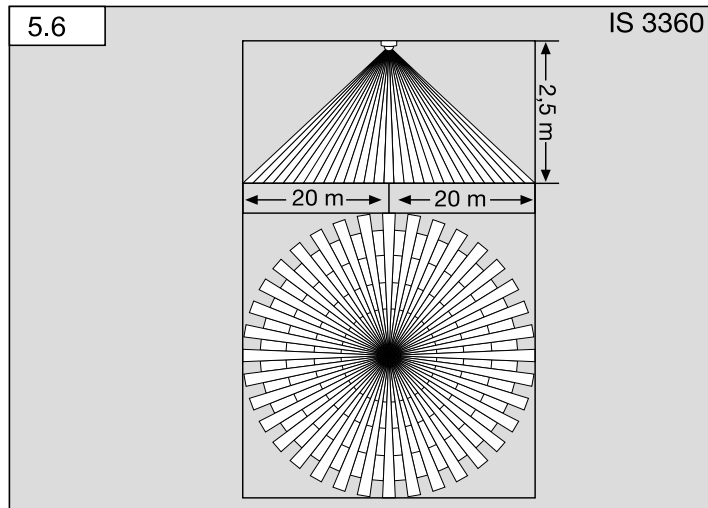


5.5

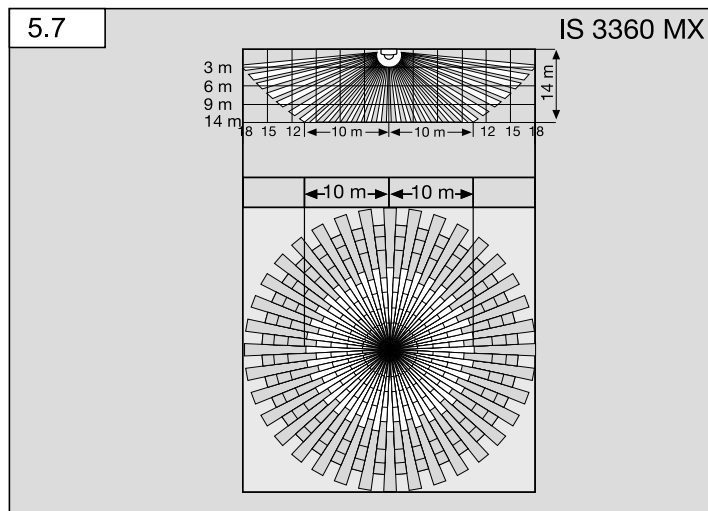


10

5.6



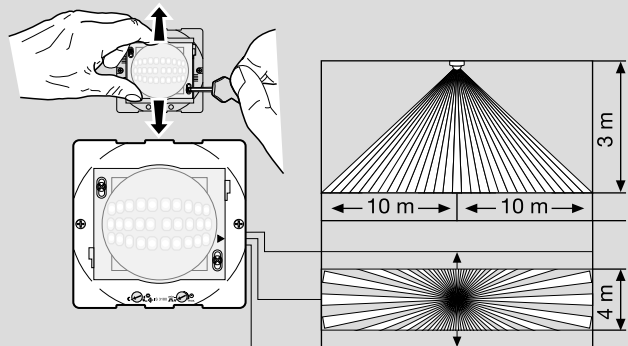
5.7



11

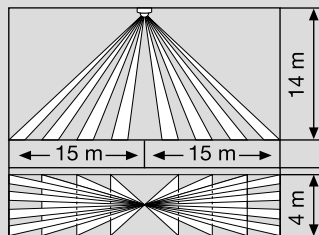
5.8

IS 345



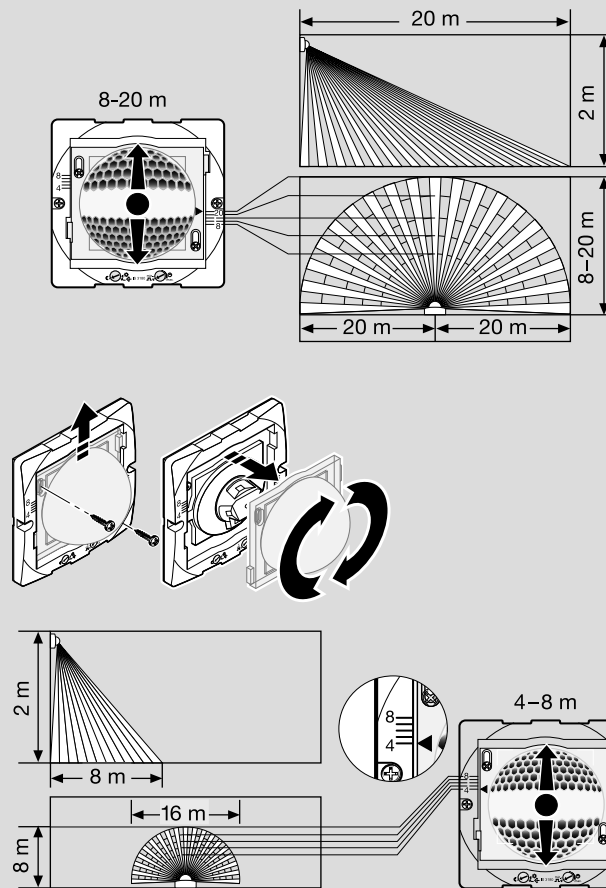
5.9

IS 345 MX



5.10

IS 3180



1. About this document

- Please read carefully and keep in a safe place.
- Under copyright.
Reproduction either in whole or in part only with our consent.
- Subject to change in the interest of technical progress.

Symbols



Hazard warning!



Reference to other information in the document.

2. General safety precautions



Disconnect the power supply before attempting any work on the sensor.

- During installation, the electric power cable to be connected must not be live. Therefore, switch off the power first and use a voltage tester to make sure the wiring is off-circuit.
- Installing the sensor involves work on the mains power supply. This work must therefore be carried out professionally in accordance with national wiring regulations and electrical operating conditions. ((DE- VDE 0100, AT- ÖVE-EN 1, CH- SEV 1000)

3. IS 3360, IS 3360 MX, IS 345, IS 3180 COM1

Proper use

- IS 3360 MX and IS 345 MX are suitable for indoor ceiling mounting.
- IS 3360 MX and IS 345 MX are suitable for indoor- and outdoor ceiling mounting.
- IS 3180 is suitable for wall mounting indoors and outdoors.
- The concealed versions are only suitable for installing indoors.

The motion detector is equipped with pyro sensors that detect the invisible heat emitted from moving objects (people, animals etc.). The heat detected in this way is converted electronically into a signal that switches a connected load ON (e.g. a light). Heat is not detected through obstacles, such as walls or panes of glass. Heat radiation of this type will, therefore, not trigger the sensor.

Optionally, all function settings can be made via the RC5, RC8 remote controls as well as the Smart Remote. (→ "7. Accessories")

Package contents for concealed installation (Fig. 3.1)

Package contents for surface-mounted installation (Fig. 3.2)

Product components (Fig. 3.3)

- A** Load module, power supply lead, surface-mounted
- B** Load module, power supply lead, concealed installation
- C** Designer trim, round or square
- D** Sensor module
- E** Half-round clip-on shroud

Product dimensions

Surface-mounted / concealed (Fig. 3.4)

IS 3360 IS, IS 3360 MX, IS 345

Surface-mounted / concealed (Fig. 3.5)

IS 345 MX

Surface-mounted / wall-mounted (Fig. 3.6)

IS 3180

4. Electrical installation

The mounting location should be at least 50 cm away from other lights because heat radiated from these may activate the system.

An optional corner wall mount (product no. 648015 black or 035174 white) is available for mounting the IS 3180.

The supply lead consist of three wires:

L = phase conductor (usually black, brown or grey)

N = neutral conductor (usually blue)

PE = protective-earth conductor (green/yellow)

↓ = switched phase conductor (usually black, brown or grey)

Note on manual override function (Fig. 4.1):

A power switch for switching ON and OFF can be installed in the mains supply lead. This is a prerequisite for the manual override function (→ "6. Function")

If the rubber seal is damaged, the cable entry openings must be sealed with an M16 or M20 (at least IP54) double seal cable gland.

For mounting the IS 3180 on the wall, a condensation water drainage hole (Ø 5 mm drill bit) is marked next to the rubber seal. This must be opened if necessary.

Connection examples (Fig. 4.2)

- ① **Light without neutral conductor**
- ② **Light with neutral conductor**
- ③ **Connection by means of two-circuit single-interruption switch for manual and automatic operation**
- ④ **Connection via two-way switch for manual override and automatic operation**
 Setting I: Automatic operation
 Setting II: Manual operation, light permanently ON

Note:

The system cannot be switched OFF, it is only possible to select operation via setting I or II.

- a) Load, lighting max. 2000 W (refer to Technical specifications)
- b) Sensor connection terminals
- c) Indoor switch
- d) Indoor two-circuit single-interruption switch, manual, automatic
- e) Indoor two-way switch, automatic, light permanently ON

Connecting several sensors in parallel (not illustrated)

In this case, it is important not to exceed a sensor's maximum connected rating. In addition, all units must be connected to the same phase. As many as 10 sensors can be connected in parallel.

Note:

The cable between two sensors must be no more than 50 m in length.

5. Mounting

- Check all components for damage.
- Do not use the product if it is damaged.
- Select an appropriate mounting location, taking the reach and motion detection into consideration.

Procedure for installing concealed power supply lead (Fig. 5.1)

Procedure for installing surface-mounted power supply lead (Fig. 5.2)

IS 3360, IS 3360 MX Highbay, IS 345, IS 345 Highbay

Procedure for installing concealed power supply lead (wall mounting) IS 3180 (Fig. 5.3)

- Switch OFF power supply.
- Detach designer trim from sensor module.
- Disconnect sensor module from the load module.
- Connect to mains power supply.
 - Surface-mounted power supply lead (Fig. 5.4)
 - Concealed power supply lead (Fig. 5.5)
- Insert fastening screw and mount load module.

Limiting reach

The detection zone can be optimised to suit requirements.

- By adjusting the lens. (Fig. 5.8 / 5.10)
- By using the half-round clip-on shroud. (Fig. 5.11)

Note:

To limit reach, the sensor module must be detached from the load module.

- To activate the required reach, undo the screws or completely remove them.
- Move lens into required zone.
- The half-round clip-on shroud provided can be used for masking out any number of lens segments to shorten reach as required.
- Afterwards, fix the lens in place with the screws.

Detection zone/reach

IS 3360 (Fig. 5.6)

IS 3360 MX (Fig. 5.7)

Mounting height	Reach (tangential)
14 m	10 m
9 m	14 m
6 m	16 m
2.8 m	18 m

IS 345 (Fig. 5.8)

IS 345 MX (Fig. 5.9)

Mounting height	Reach (tangential)
14 m	30 m × 4
10 m	25 m × 4
8 m	20 m × 4
6 m	15 m × 4
4 m	10 m × 4

IS 3180 (Fig. 5.10)

Mounting height	Setting level	20 m lens		Setting level	8 m lens	
		tangential	radial		tangential	radial
1.5 m	8	5 m	2.5 m	4	3 m	2.0 m
	–	6 m	2.5 m	–	5 m	2.5 m
	–	7 m	3.0 m	–	6 m	3.0 m
	–	8 m	3.0 m	–	7 m	3.0 m
	20	12 m	4.5 m	8	9 m	3.5 m
2.0 m	8	5 m	2.5 m	4	4 m	3.0 m
	–	6 m	3.0 m	–	5 m	3.0 m
	–	7 m	3.5 m	–	6 m	3.0 m
	–	10 m	4.0 m	–	8 m	3.0 m
	20	20 m	4.5 m	8	8 m	3.5 m
2.5 m	8	6 m	3.0 m	4	5 m	3.0 m
	–	8 m	4.0 m	–	7 m	3.5 m
	–	10 m	5.0 m	–	8 m	3.5 m
	–	13 m	5.0 m	–	9 m	4.0 m
	20	20 m	4.0 m	8	10 m	3.5 m
3.0 m	8	8 m	4.0 m	4	5 m	3.0 m
	–	9 m	4.5 m	–	6 m	3.0 m
	–	12 m	5.0 m	–	8 m	4.0 m
	–	17 m	4.0 m	–	10 m	4.5 m
	20	20 m	4.0 m	8	13 m	5.5 m

Note:

The factory setting is 20 m

- Fit sensor and load module together and screw into place.
- **Switch ON power supply.**
- Set functions. (→ "6. Function")
- Fit designer trim.

6. Function / operation

Factory settings

Twilight level: 1000 lux

Time setting: 5 s

Twilight setting (Fig. 6.1)

The chosen sensor response threshold is infinitely adjustable from approx. 2-1000 lux.

Control dial ☾ means twilight mode at approx. 2 lux.

Control dial ⚙️ means daylight operation / independent of ambient light level.

Teach mode ↻

The control must be set to ↻ at the level of light at which you want the sensor to respond to movement from now on. The level of ambient brightness measured in this way will be saved after 10 seconds. The load is deactivated during this period.

Dazzle guard

This product is equipped with an integrated dazzle guard. If blinded by extraneous light, this puts the sensor into a brightness-related evaluation mode for 60 seconds. (→ "12. Troubleshooting")

Presence detector switch-off logic

The load connected is switched OFF once the selected light level is exceeded.

Time setting (Fig. 6.1)

The time you want the connected lamp to stay ON for is infinitely adjustable from approx. 5 seconds of a maximum of 15 minutes. Any movement detected before this time elapses will restart the timer.

Pulse function

The pulse function activates the output for 2 seconds (e.g. for staircase lighting time switches). The sensor will then be in a dead time for 8 seconds.

Note:

If the pulse function is selected via the controller, time cannot be set via remote control.

Manual override function (Fig. 4.1)

If a mains switch is installed in the mains supply lead, the following functions are available in addition to simply switching ON and OFF:

Important: The switch should be actuated in rapid succession (in the 0.5 - 1 s range).

Sensor mode

- 1) Switch light ON (when light is OFF): switch ON and OFF once.
Sensor stays ON for the period selected.
- 2) Switch light OFF (when light is ON): switch ON and OFF once.
Sensor goes out or switches to sensor mode.

Manual override

- 1) Activate manual override:
Switch ON and OFF twice. The sensor is set to stay ON for 4 hours (red LED lights up behind the lens). Then it returns automatically to sensor mode (red LED OFF).
- 2) Deactivate manual override:
Switch ON and OFF once. Sensor goes out or switches to sensor mode.

LED function

- Normal mode: LED stays OFF
- Test mode: LED lights up on detecting movement
- Remote control: LED flashes approx. 10 times per second
- Permanently ON/OFF: LED lit

7. Accessories (optional)

User remote control RC5 EAN 4007841 592806

Additional functions, RC5

- Light ON/OFF 4 h
- User reset
- 100 h burn in, 4 h light ON press for ≥ 5 s

Service remote control RC8 EAN 4007841 559410

Additional functions, RC8

- Time setting, CH1
- Test / normal mode
- Twilight setting
- Night-time operation
- Daylight operation
- Teach-IN
- Reset

Smart Remote EAN 4007841 009151

- Control via smartphone or tablet
- Replaces remote controls RC5 and RC8
- Load appropriate app and connect via Bluetooth
- Identify the sensors and read parameters

Additional functions, Smart Remote

- Time setting: 5 s - 60 min
- Twilight setting: 2 - 1000 lux
- Initial state; behaviour after applying the light ON/OFF supply voltage
- Burn in
- Sensor

Detailed descriptions are provided in the operating instructions for the particular remote control.

8. Operation / maintenance

The infrared sensor can be used for switching light ON and OFF automatically. The unit is not suitable for burglar alarm systems as it is not tamperproof in the manner prescribed for such systems. Weather conditions may affect the way the motion detector works. Strong gusts of wind, snow, rain or hail may cause the light to come ON when it is not wanted because the sensor is unable to distinguish between sudden changes of temperature and sources of heat. The detector lens may be cleaned with a damp cloth if it gets dirty (do not use cleaning agents).

9. Disposal

Electrical and electronic equipment, accessories and packaging must be recycled in an environmentally compatible manner.



Do not dispose of electrical and electronic equipment as domestic waste.

EU countries only:

Under the current European Directive on Waste Electrical and Electronic Equipment and its implementation in national law, electrical and electronic equipment no longer suitable for use must be collected separately and recycled in an environmentally compatible manner.

10. Manufacturer's Warranty

As purchaser, you are entitled to your statutory rights against the vendor. If these rights exist in your country, they are neither curtailed nor restricted by our Warranty Declaration. We guarantee that your STEINEL Professional sensor product will remain in perfect condition and proper working order for a period of 5 years. We guarantee that this product is free from material-, manufacturing- and design flaws. In addition, we guarantee that all electronic components and cables function in the proper manner and that all materials used and their surfaces are without defects.

Making Claims

If you wish to make a claim, please send your product complete and carriage paid with the original receipt of purchase, which must show the date of purchase and product designation, either to your retailer or contact us at **STEINEL (UK) Limited, 25 Manasty Road, Axis Park, Orton Southgate, Peterborough, PE2 6UP**, for a returns number. For this reason, we recommend that you keep your receipt of purchase in a safe place until the warranty period expires. STEINEL shall assume no liability for the costs or risks involved in returning a product.

For information on making claims under the terms of the warranty, please go to **www.steinel-professional.de/garantie**

If you have a warranty claim or would like to ask any question regarding your product, you are welcome to call us at any time on our Service Hotline **01733 366700**.

5 YEAR
MANUFACTURER'S
WARRANTY

11. Technical specifications

	IS 3180	IS 3360 / IS 3360 MX	IS 345	IS 345 MX
Dimensions (L × W × H)	Surface-mounted installation, round Ø		126 × 65 mm	
	Surface-mounted installation, square		95 × 95 × 65 mm	
	Concealed installation, round Ø		124 × 78 mm	
	Concealed installation, square		94 × 94 × 78 mm	
Output	Incandescent / halogen lamp load		2000 W	
	Fluorescent lamps, electronic ballast		1500 W	
	Fluorescent lamps, uncorrected		1000 VA	
	Fluorescent lamps, series-corrected		400 VA	
	Fluorescent lamps, parallel-corrected		400 VA	
	Low-voltage halogen lamps		2000 VA	
	LED < 2 W		100 W	
	2 W < LED < 8 W		300 W	
	LED > 8 W		600 W	
	Capacitive load		176 µF	
Mains power supply	220-240 V, 50 / 60 Hz max. 2.5 mm ²			
Angle of coverage	180° with 90° angle of aperture	360° with 180° angle of aperture	180° with 45° angle of aperture	180° with 45° angle of aperture
Reaches	Basic setting 1: max. 8-20 m tangential; temperature stabilised Basic setting 2: max. 4-8 m: temperature stabilised + precision adjustment by repositioning the lens and using shrouds	IS 3360 max. 20 m tangential; temperature stabilised IS 3360 MX max. 18 m; temperature stabilised + precision adjustment using shrouds	max. 20 × 4 m (tangential), max. 12 × 4 m (radial); temperature stabilised + precision adjustment using shrouds	max. 30 × 4 m (tangential) mounted at a height of 14 m; temperature stabilised + precision adjustment using shrouds
Detection levels	7	11	5	5
Switching zones	448	1416	280	120
Time setting	5 s - 15 min + pulse mode (approx. 2 s)			
Twilight setting	2-1000 lux + teach mode			
Manual override (permanent light)	selectable (4 h)			
IP rating	Surface-mounted: IP54 Concealed: IP20			
Temperature zone	-20°C to +50°C			

12. Troubleshooting

Malfunction	Cause	Remedy
No power at the sensor	<ul style="list-style-type: none"> ■ Fuse faulty, not switched ON, break in wiring ■ Short circuit 	<ul style="list-style-type: none"> ■ New fuse, turn ON power switch, check wiring with voltage tester ■ Check connections
Sensor will not switch ON	<ul style="list-style-type: none"> ■ Twilight setting set to night-time mode during daytime operation ■ Bulb faulty ■ Mains power switch OFF ■ Fuse faulty ■ Detection zone not properly targeted 	<ul style="list-style-type: none"> ■ Adjust setting ■ Change bulb ■ Switch ON ■ Fit new fuse, check connection if necessary ■ Readjust
Sensor will not switch OFF	<ul style="list-style-type: none"> ■ Continuous movement in the detection zone ■ Light being operated is located in detection zone and keeps switching ON as a result of temperature change ■ Light being operated is in manual override mode (LED ON) 	<ul style="list-style-type: none"> ■ Check zone, adjust or fit shrouds if necessary ■ Change detection zone or fit shrouds ■ Deactivate manual override
Sensor keeps switching ON/OFF	<ul style="list-style-type: none"> ■ Light being operated is located in the detection zone ■ Animals moving in the detection zone 	<ul style="list-style-type: none"> ■ Change zone or fit shrouds, increase distance ■ Change detection zone or fit shrouds
Sensor reach change	<ul style="list-style-type: none"> ■ Change in ambient temperatures 	<ul style="list-style-type: none"> ■ Use shrouds to define detection zone precisely